

REVISED 1/1/19

**PRODUCT**

RIVELI SHELF - LUXE SERIES  
RIVELI 3X2-LUXE-001

**MATERIALS (FINISHES)**

ANODIZED ALUMINUM (AGED  
BRONZE, GOLDEN BRASS, SATIN  
BLACK, SATIN SILVER)

**WEIGHT**

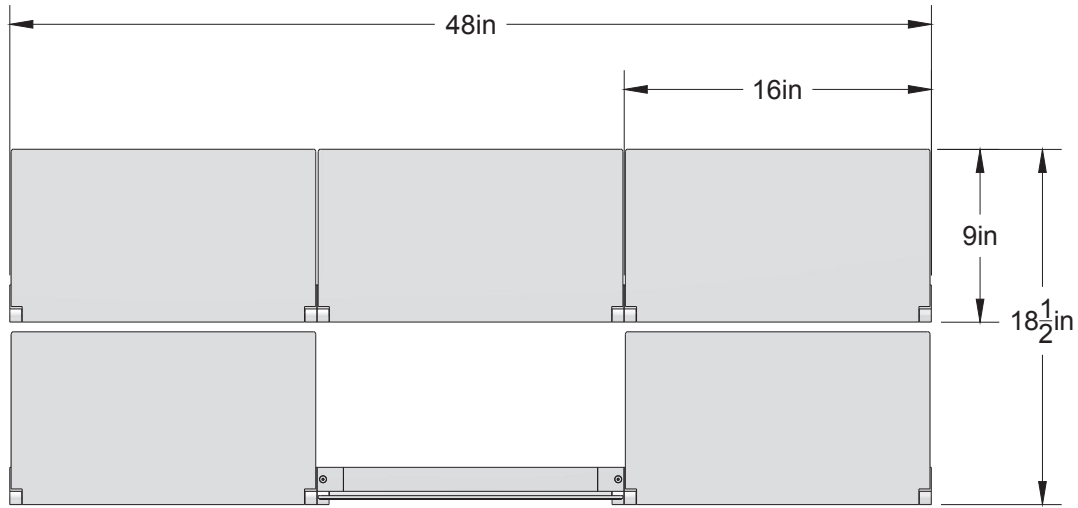
21 LBS  
(EACH SHELF CAN HOLD 8 LBS)

**NOTES**

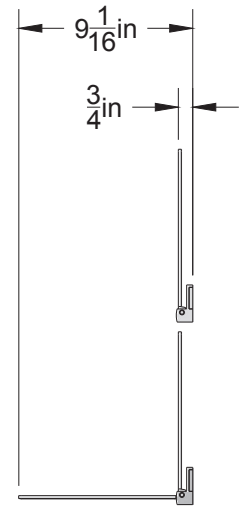
RIVELI SHELF IS A MODULAR  
SYSTEM COMPRISED OF  
INDIVIDUAL PIVOTING SHELVES.  
RIVELI IS MEANT TO BE  
ASSEMBLED ON SITE AND  
INSTALLED SECURELY TO A  
SUPPORTED WALL BY A LICENSED  
INSTALLATION PROFESSIONAL.

PATENT PROTECTED - U.S. PATENT NO. 8,665,583





ELEVATION VIEW



SIDE VIEW

© 2019, LAKE AND WELLS, LLC ALL RIGHTS RESERVED