

REVISED 5/1/20

**PRODUCT**

OONA BARE PENDANT  
OONA BARE 05

**MATERIALS (FINISHES)**

METAL (GOLDEN BRASS,  
BLACKENED BRASS, SILVER,  
BLACKENED SILVER)

GLASS (CLEAR, SMOKE)

**WEIGHT**

45.0 LBS

**LAMPING**

INCANDESCENT (QTY 5)  
E26 BASE / A23 SHAPE  
120V / 40 WATT MAX

**CANOPY / CORD**

5" ROUND CANOPY WITH  
POSITIONABLE CEILING DROPS  
6' CLOTH CORD

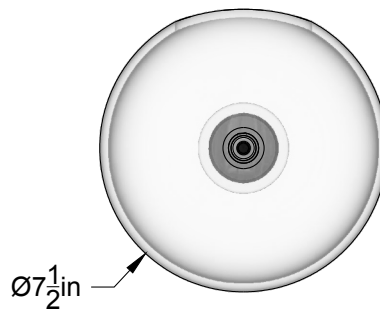
**CERTIFICATIONS**

ETL LISTED (120V, US/CANADA)

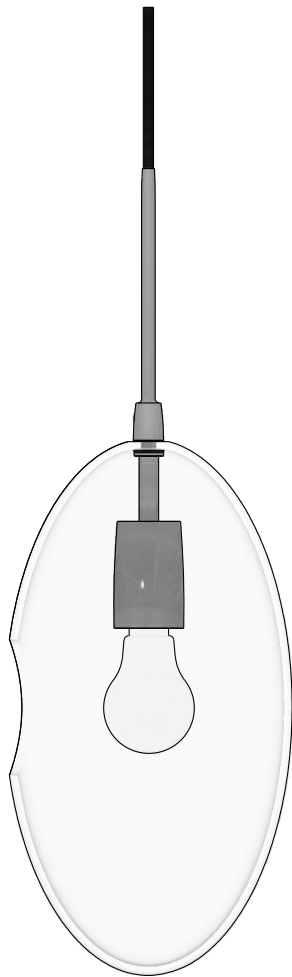
**NOTES**

OONA IS AN ARTISAN-CRAFTED HANGING PENDANT FEATURING BLOWN GLASS AND SOLID MACHINED HARDWARE. OONA IS MEANT TO BE INSTALLED BY A QUALIFIED AND LICENSED ELECTRICIAN AND INSTALLATION PROFESSIONAL.

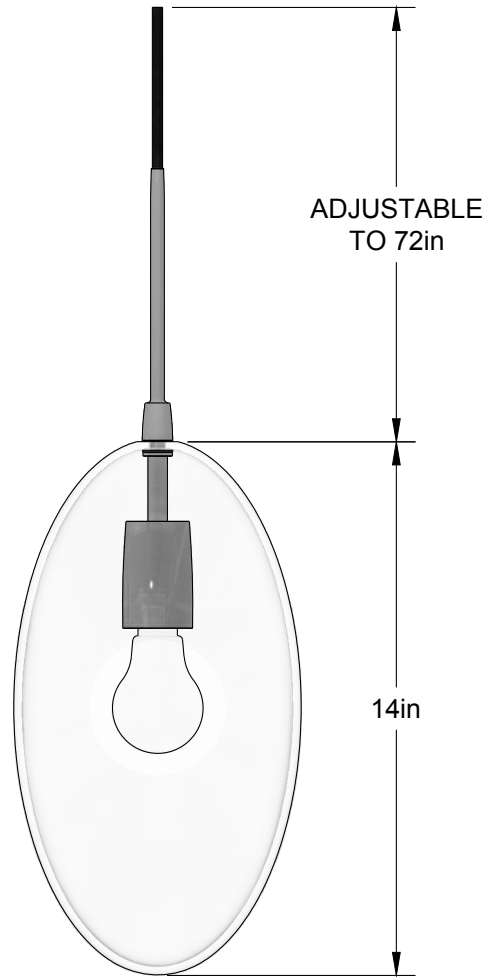




PLAN VIEW



SIDE VIEW



ELEVATION VIEW

© 2020, LAKE AND WELLS, LLC ALL RIGHTS RESERVED