

PRODUCT

RIVELI SHELF
INSTALL GUIDE

DESCRIPTION

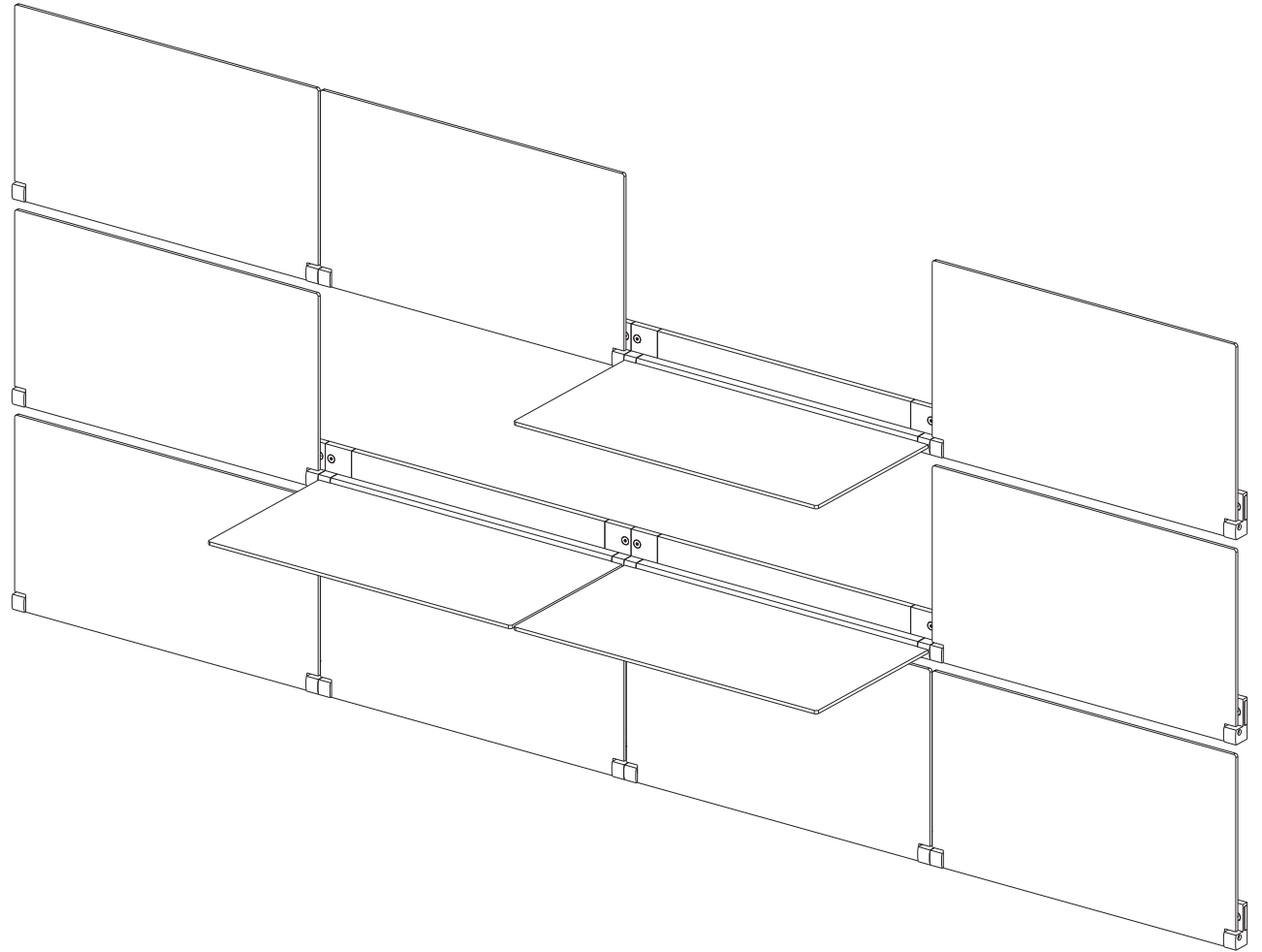
RIVELI SHELF IS A MODULAR SYSTEM FOR SHOWCASING LIGHTWEIGHT OBJECTS AS WELL AS ARTWORK AND MATERIAL PANELS.

MATERIALS

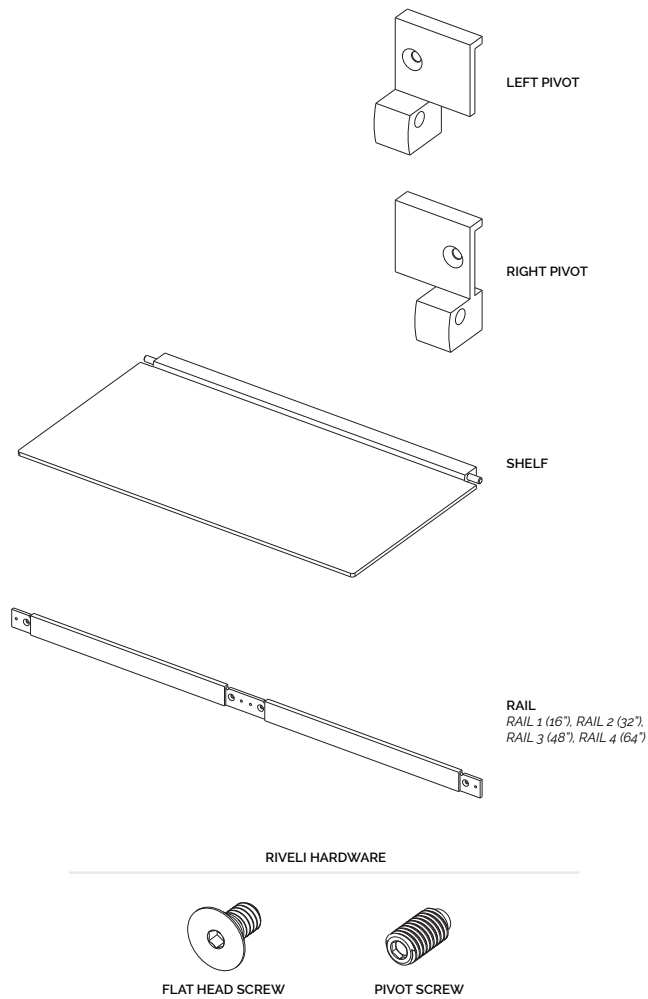
ANODIZED ALUMINUM
ARTWORK PANELS
MATERIAL PANELS

NOTES

- RIVELI SHELF SHOULD BE INSTALLED BY A LICENSED INSTALLATION PROFESSIONAL.
- RIVELI SHELF IS A MODULAR DESIGN. ANY SIZE ARRANGEMENT CAN BE CREATED USING ANY NUMBER OF SHELVES.
- RIVELI SHELF SHOULD BE INSTALLED ON A FLAT AND SMOOTH WALL SURFACE WITH ENOUGH STRENGTH AND STRUCTURE TO SUPPORT THE WEIGHT OF THE SHELVES. (A PLYWOOD OR MDF WALL IS RECOMMENDED).
- INSTALLATION REQUIRES COUNTERSUNK, FLAT HEAD MOUNTING HARDWARE APPROPRIATE FOR YOUR WALL MATERIAL (NOT INCLUDED).
- INDIVIDUAL SHELVES ARE RATED TO HOLD A MAXIMUM OF 8 LBS EACH. ADDITIONAL WEIGHT CAN WEAKEN THE SYSTEM'S RAIL CONNECTION TO THE WALL. PERIODICALLY MONITOR THE INSTALLATION TO BE SURE THE RAIL IS TIGHT AND SECURE AGAINST THE WALL.



AMERICAN DESIGN
BY LAKE  WELLS
CHICAGO



1

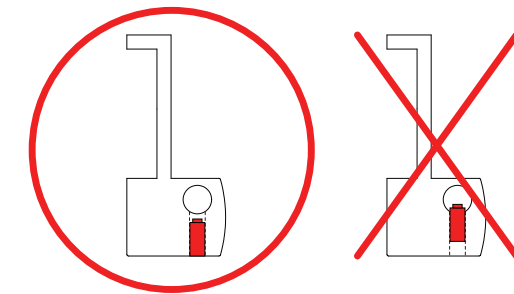
Review and take note of all the parts your order came with. These parts will be used to build out your shelving system arrangement.

- FLAT HEAD and PIVOT SCREWS use a $\frac{3}{32}$ Hex Driver
- Extra hardware is included for replacement or maintenance purposes. Keep any un-used or extra hardware in a safe place with this documentation.

2

Install one PIVOT SCREW in each PIVOT component. The PIVOT SCREW should be installed until flush with the bottom of the PIVOT and should not protrude into, and block, the side pivot hole.

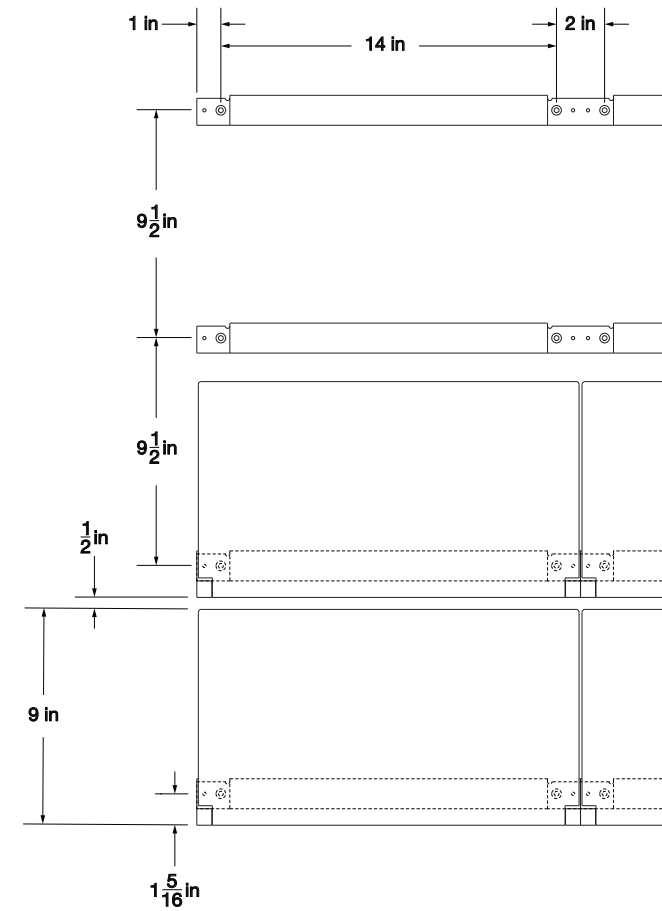
- Extra PIVOT SCREWS have been included for replacement or maintenance purposes.

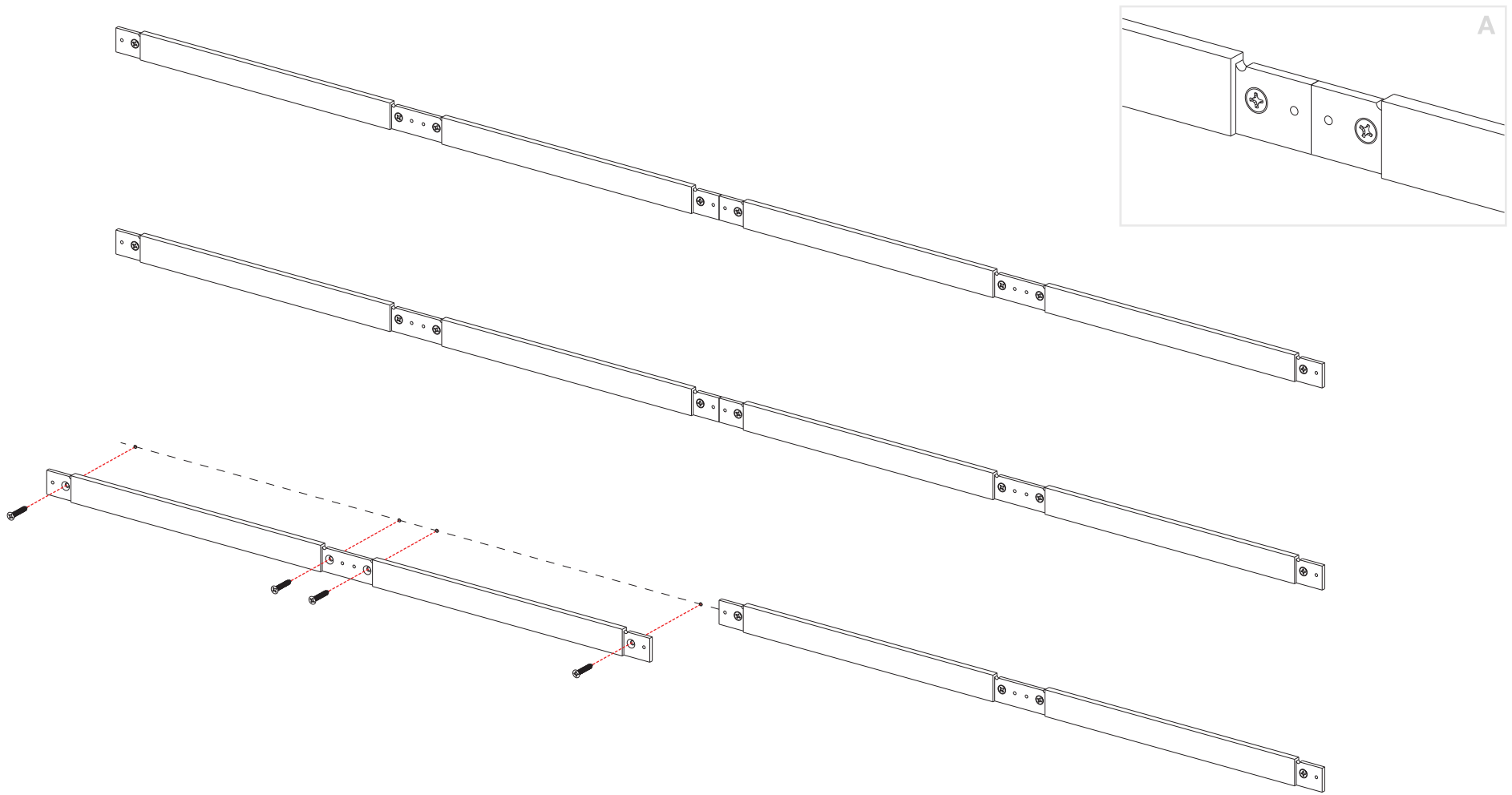


3

Review the arrangement drawing you should have received with your order. This drawing illustrates the combination of RAILS to install as well as lists the overall dimensions. As you review those drawings, keep in mind the important dimensions illustrated above.

- RAILS are installed $9\frac{1}{2}$ " (24.1cm) between centers.
- When all the components are installed on the RAILS, the bottom of the PIVOTS and SHELVES is $1\frac{5}{16}$ " (3.3cm) below the center of the RAIL.
- When fully installed, there is a $\frac{1}{2}$ " (1.3cm) gap between SHELVES. This gap is intentional and needed in order to pull a SHELF down.

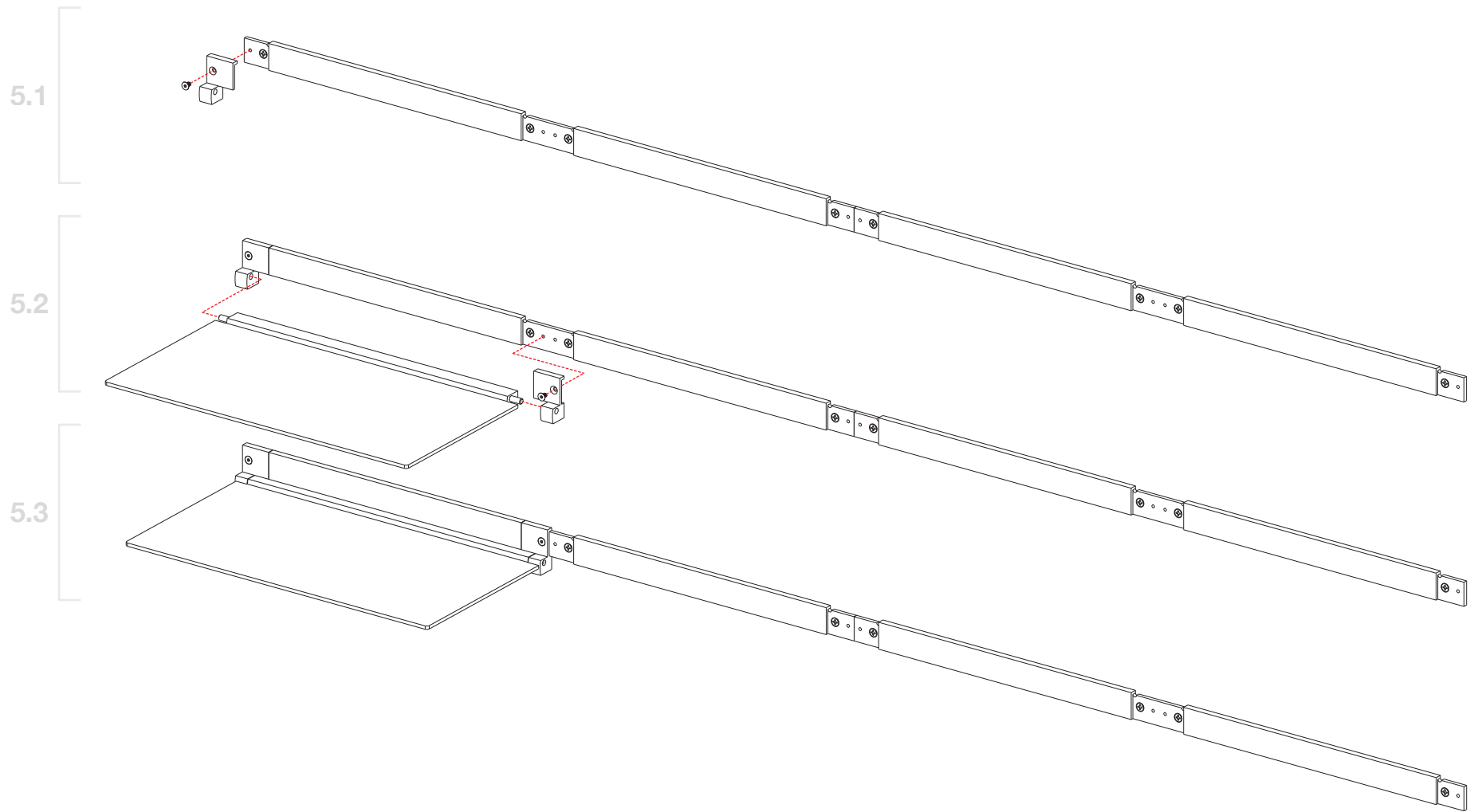




4

Using your arrangement drawing as a guide, securely attach each RAIL to a smooth and flat wall surface. Use countersunk, flat head mounting hardware appropriate for your wall material (not included). (Mounting example above is for illustration purposes only). Take note of the important requirements below:

- RAILS should be installed level with a distance of $9\frac{1}{2}$ " (24.1cm) between centers. Additional dimensions can be reviewed in Step 3.
- Mounting hardware should not protrude above the surface of the RAIL.
- If your arrangement requires multiple in-line RAILS, install each RAIL flush and level against each other. (*Detail A*)



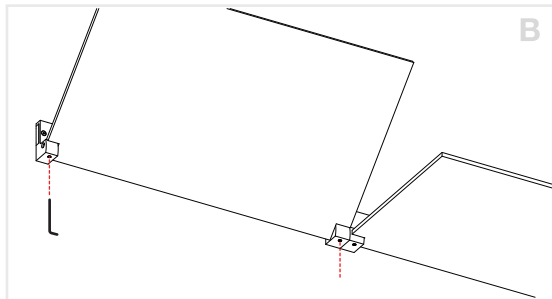
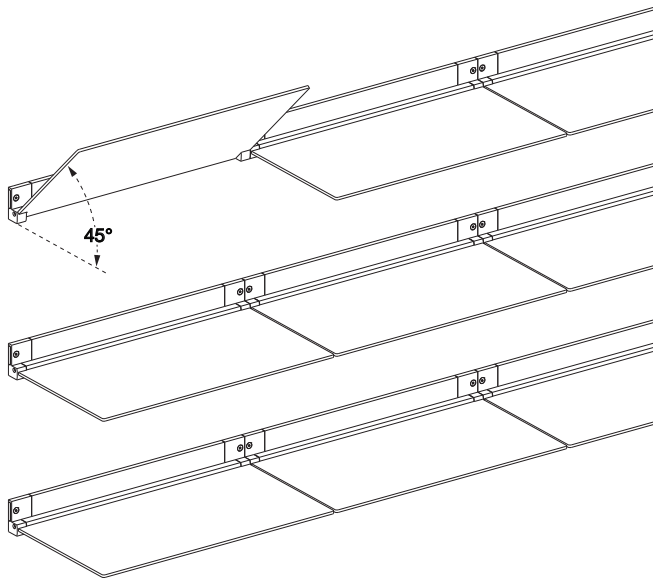
5

Once all the RAILS are installed and secured against the wall, you can begin attaching the SHELF and PIVOTS (note the correct part orientations). Repeat the following steps for each SHELF section.

5.1 - Starting from the left end of a RAIL row, securely attach a LEFT PIVOT using a FLAT HEAD SCREW.

5.2 - Slide the SHELF pins into the LEFT and RIGHT PIVOTS and then securely attach the RIGHT PIVOT to the RAIL using a FLAT HEAD SCREW. (Be sure that the back edge of the SHELF is positioned below the RAIL)

5.3 - If installed correctly, the SHELF will lay flat as pictured.

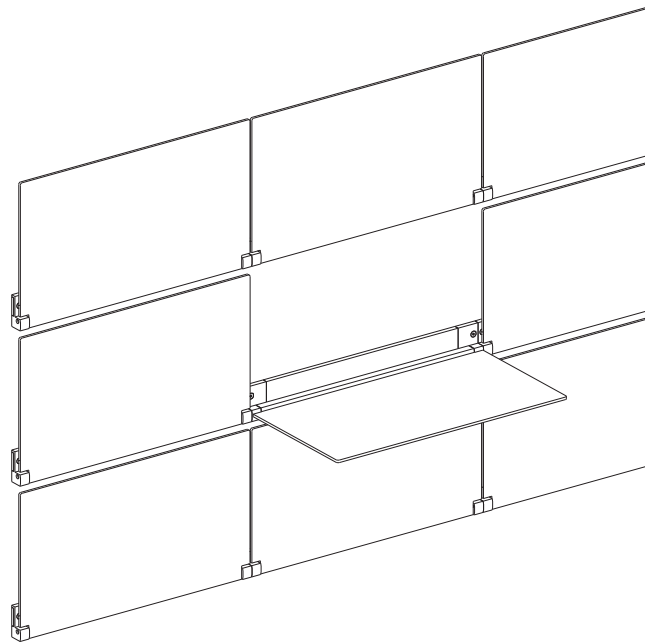


6

After all parts are installed and all FLAT HEAD SCREWS are tightened, you can begin to adjust the pivoting resistance mechanism.

Position and hold the first SHELF at an approximate 45° angle. Using a 3/32 Hex Wrench, slowly and equally tighten the PIVOT SCREWS below each LEFT and RIGHT PIVOT corresponding to that SHELF (*Detail B*). Tighten each PIVOT SCREW equally until the SHELF is just barely able to stay at 45° without being held up by hand. Repeat this process for each SHELF.

- Do not over tighten the PIVOT SCREWS. Each SHELF should pivot freely but firmly.
- Over time, the pivoting resistance of a SHELF may become loose. Simply repeat this step for any loose SHELVES.

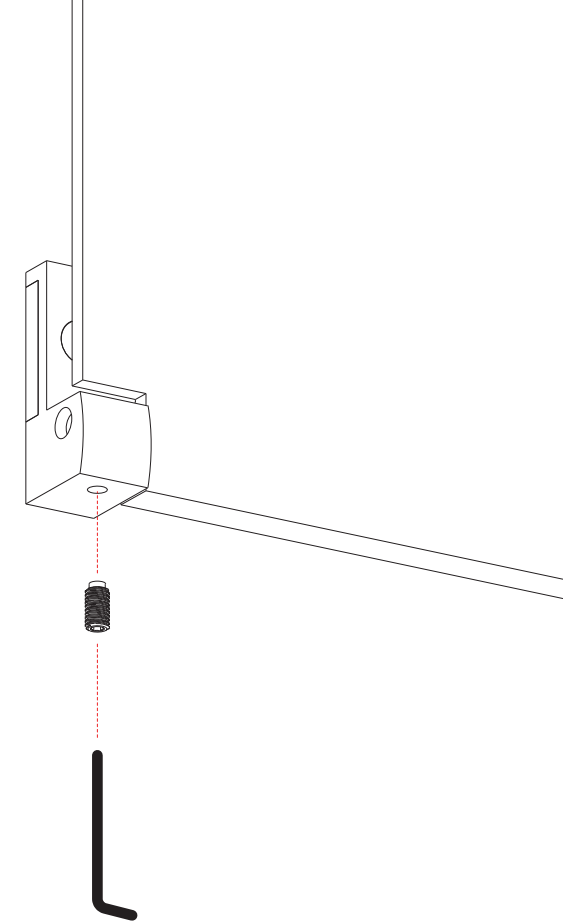


7

At this point, Riveli Shelf is fully installed and ready for use.

To finish the installation, pivot each SHELF into the "up" position (Approximately 90° and parallel to the wall). If you have Art Series Shelves, you would now attach the separate Artwork or Material Panels to the magnetic face of each SHELF.

Finally, determine which individual SHELF or SHELVES you want to use to display objects and pivot them back to the "down" position. This step can be repeated at any time.



MAINTENANCE

Loose Shelf

Over time, the pivoting resistance of a SHELF may become loose. Simply repeat Step 6 for any loose SHELVES. With excessive use, the pivoting mechanism may become worn down and in need of replacement. To replace the mechanism, simply unscrew the PIVOT SCREWS corresponding to the loose SHELF and replace them with new PIVOT SCREWS as illustrated above.

Cleaning

Riveli Shelf can be cleaned with a simple damp cloth or window. For a deeper cleaning, a cloth dampened with mineral spirits will work.