

REVISED 5/10/19

**PRODUCT**

JAX CHANDELIER  
JAX 28-005

**MATERIALS (FINISHES)**

ANODIZED ALUMINUM (AGED  
BRONZE, GOLDEN BRASS, SATIN  
BLACK, SATIN SILVER)

SOLID OPTIC CRYSTAL (CLEAR,  
FROSTED, SMOKE)

**WEIGHT**

16.9 LBS

**LAMPING**

INTEGRATED LED (QTY 28)  
13W, 3000K  
ELV AND PHASE DIMMABLE

**CERTIFICATIONS**

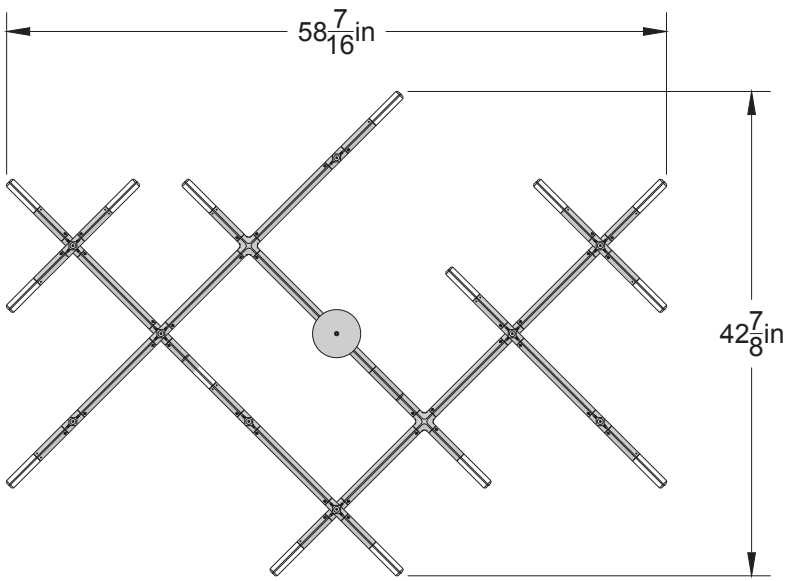
ETL LISTED (120V)

**NOTES**

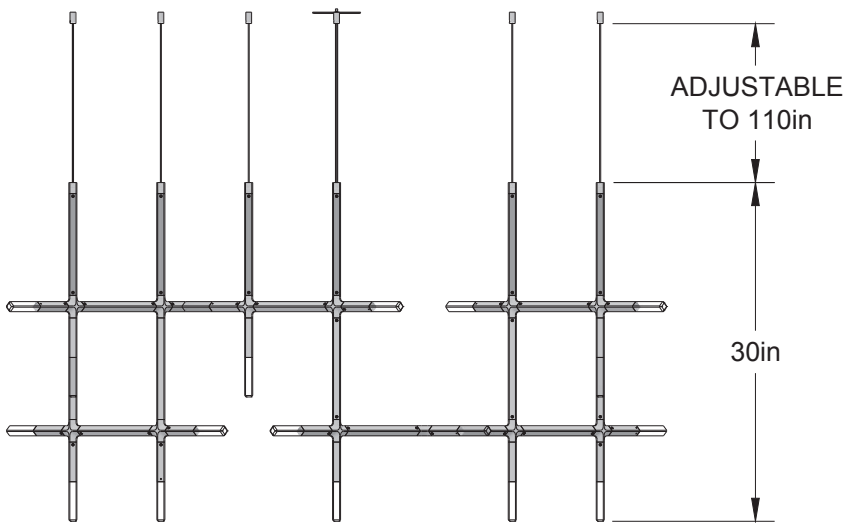
JAX IS COMPRISED OF MODULAR  
COMPONENTS AND IS MEANT TO  
BE ASSEMBLED ON-SITE BY A  
QUALIFIED ELECTRICIAN AND  
INSTALLATION PROFESSIONAL.

*PATENT PENDING*

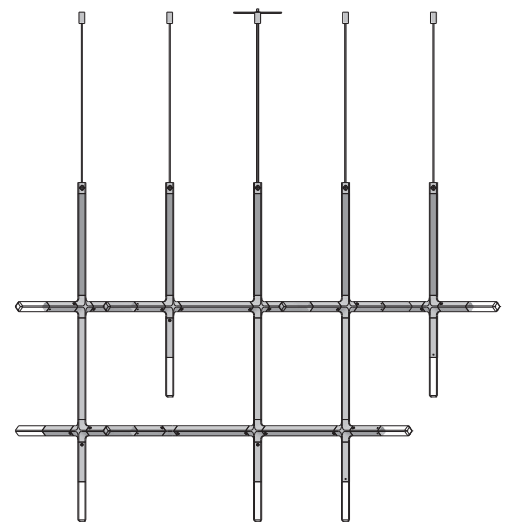




PLAN VIEW



ELEVATION VIEW



SIDE VIEW

© 2019, LAKE AND WELLS, LLC ALL RIGHTS RESERVED