

PRODUCT

OONA 03 / 05 / 08 / 10
INSTALL GUIDE

DESCRIPTION

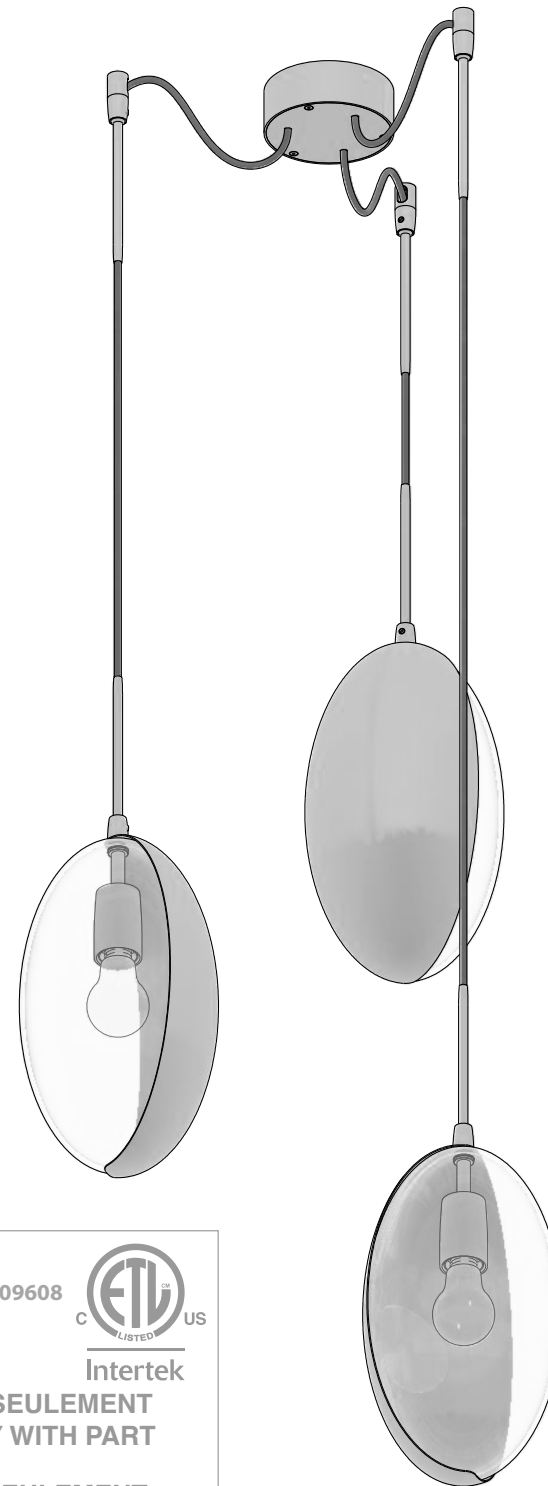
OONA IS AN ARTISAN-CRAFTED HANGING PENDANT FEATURING A HAND-FORMED BRASS SHADE THAT ROTATES AROUND A GLASS FORM

MATERIALS

BOROSILICATE GLASS
FORMED AND MACHINED BRASS

NOTES

- OONA SHOULD BE INSTALLED BY A LICENSED INSTALLATION PROFESSIONAL AND IS MEANT TO BE ASSEMBLED AND CONFIGURED ON-SITE
- THIS FIXTURE IS INTENDED TO BE INSTALLED UTILIZING A NEC COMPLIANT JUNCTION BOX (A 4in OCTAGON BOX OR ONE WITH A ROUND PLASTER RING)
- OONA IS DIMMABLE WITH STANDARD INCANDESCENT DIMMING HARDWARE (WHEN USING INCANDESCENT BULBS)
- OONA IS HANDMADE BY ARTISANS. INCONSISTENCIES IN COLOR, SHAPE, AND SIZE NATURALLY OCCUR AND MAKE EVERY PIECE UNIQUE
- LAMPING: E26 BASE / A23 SHAPE / 120V / 40 WATT MAX



MODEL: OONA
RATING: 120V 60Hz, 40 W MAX
CONFORMS TO UL STD 1598
CERTIFIED TO CSA STD C22.2 No.250.0

5009608



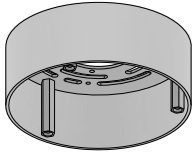
Intertek

DRY LOCATIONS ONLY
POUR EMPLACEMENTS SECS SEULEMENT
ASSEMBLE PARTS OONA ONLY WITH PART
CANOPY.
ASSEMBLER LA PIECE OONA SEULEMENT
AVEC LA PIECE CANOPY

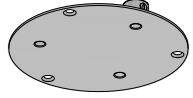
AMERICAN DESIGN
BY LAKE AND WELLS
CHICAGO

MULTI CANOPY

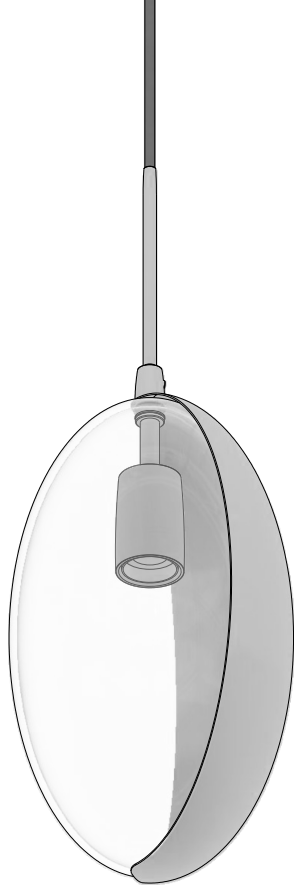
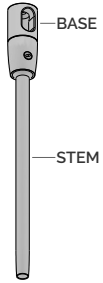
CANOPY BASE



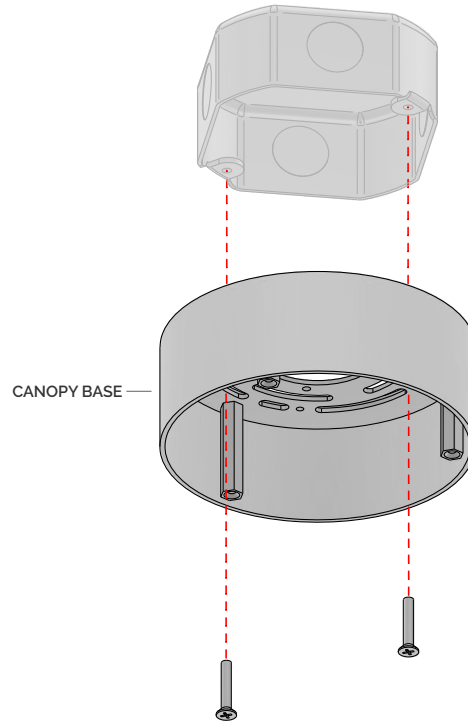
CANOPY PLATE



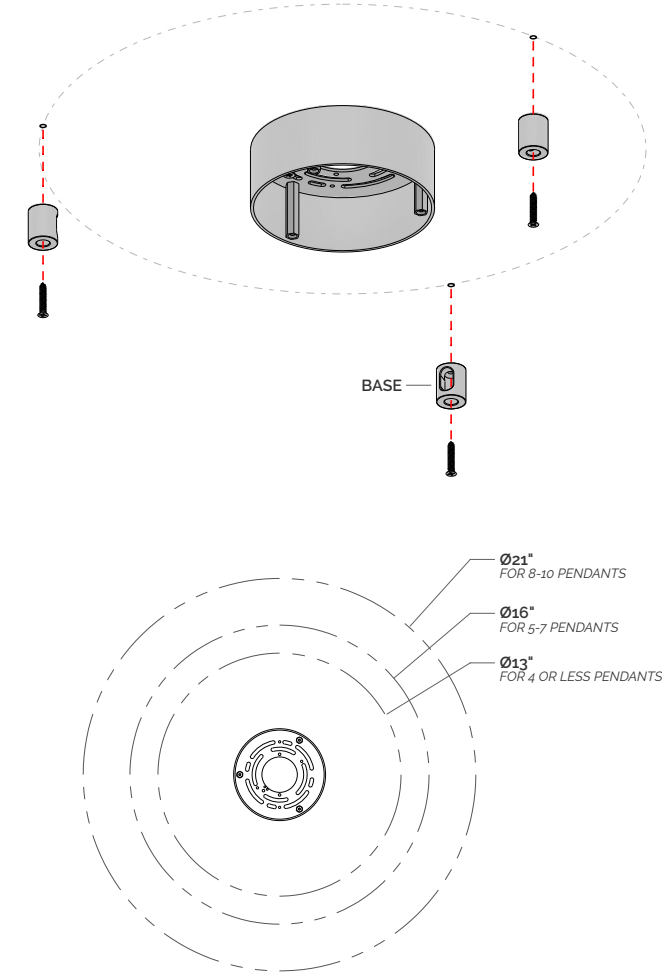
OONA DROP



OONA PENDANT



CANOPY BASE



PARTS

• Review and take note of all the components your order came with.

1

• **BE SURE THAT ALL POWER IS OFF TO THE JUNCTION BOX**

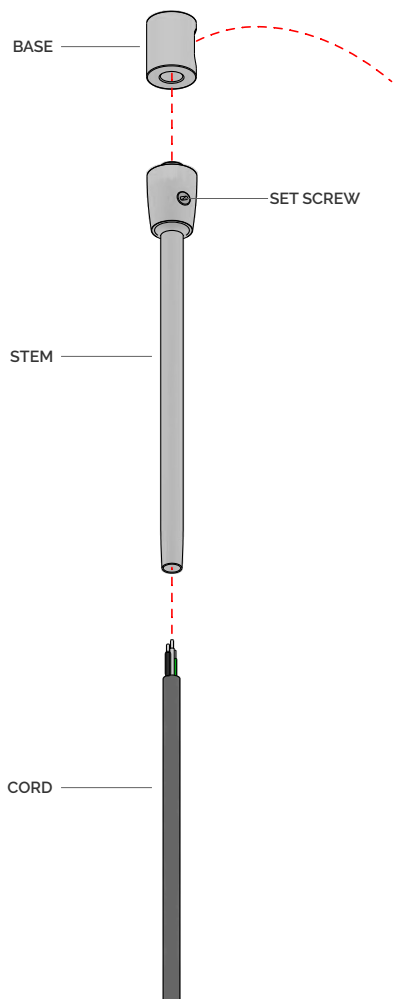
• Install the CANOPY BASE over a powered junction box.
(Installation requires a 4in octagon junction box or a junction box with a round plaster ring.)

2

• Determine and mark the location where each individual pendant will hang. The above diagram should only be used as a guide - it is up to the installer to determine the exact locations.

• Using hardware appropriate for your ceiling material (*not included*), securely install each Oona Drop BASE to the ceiling. (Note that the side opening in each part should face towards the CANOPY BASE).

• **BE SURE THAT INSTALLATION CAN FULLY SUPPORT THE WEIGHT OF EACH PENDANT**



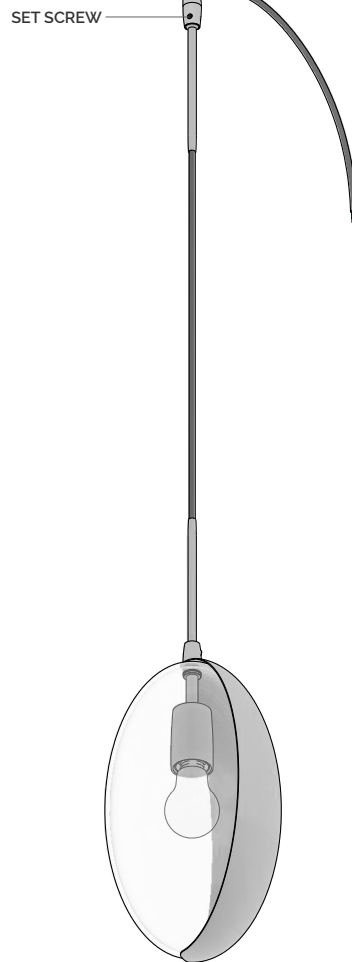
3

- Loosen (*do not remove*) the SET SCREW on the first Oona Drop STEM.

- Starting with the first pendant, feed the fixture CORD through the Oona Drop STEM until an approximate pendant drop length is achieved.

- Continue to feed the CORD through the Oona Drop BASE (*that is connected to the ceiling*) until you can fully screw in the STEM to the BASE.

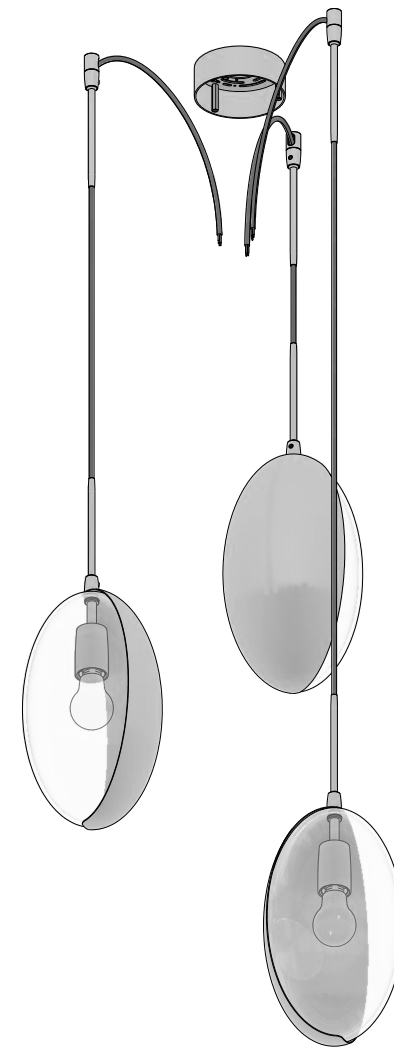
- **DO NOT LET GO OF PENDANT**



4

- Make any final adjustments to the drop length of the pendant.

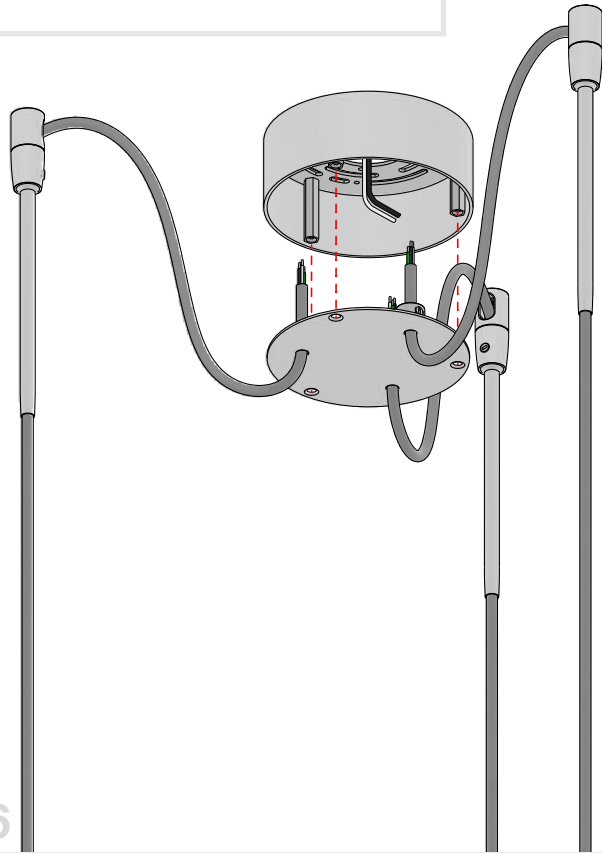
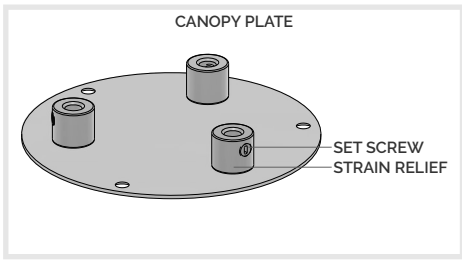
- When desired drop length is achieved, tighten the SET SCREW to secure the fixture in place.



5

- Repeat STEP 3 and STEP 4 for each pendant.

- Double check to make sure each Oona Drop BASE is securely attached to the ceiling and that each strain relief SET SCREW is securely tightened.

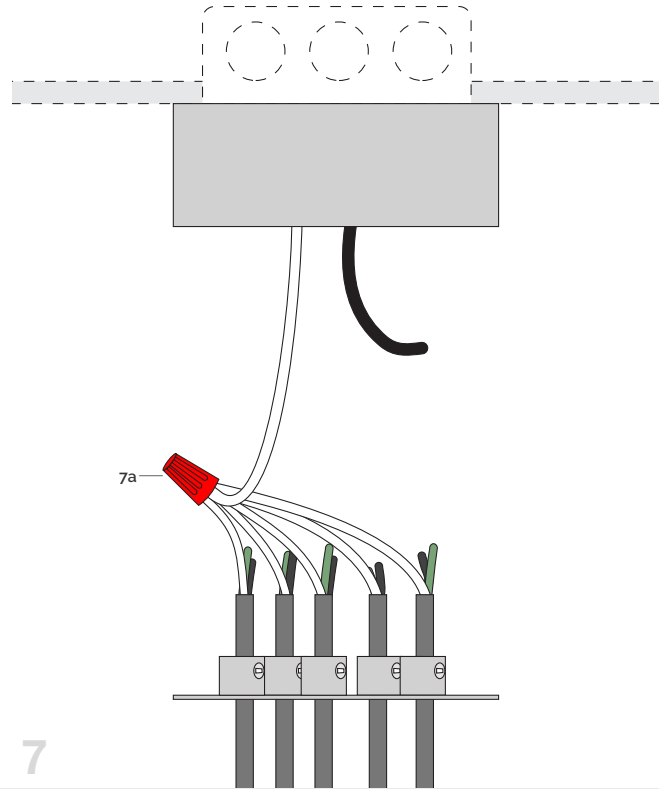


6

- Starting with the first pendant, thread the fixture cord through a CANOPY PLATE strain relief hole. (Note the CANOPY PLATE orientation in the illustration above and also how the installation holes line up).

- Adjust to the desired slack length (the cord distance between the OONA DROP and the CANOPY PLATE) and then tighten the strain relief SET SCREW to lock the cord in place.

- Continue this step for each fixture cord using the strain relief hole closest to the corresponding fixture.



7

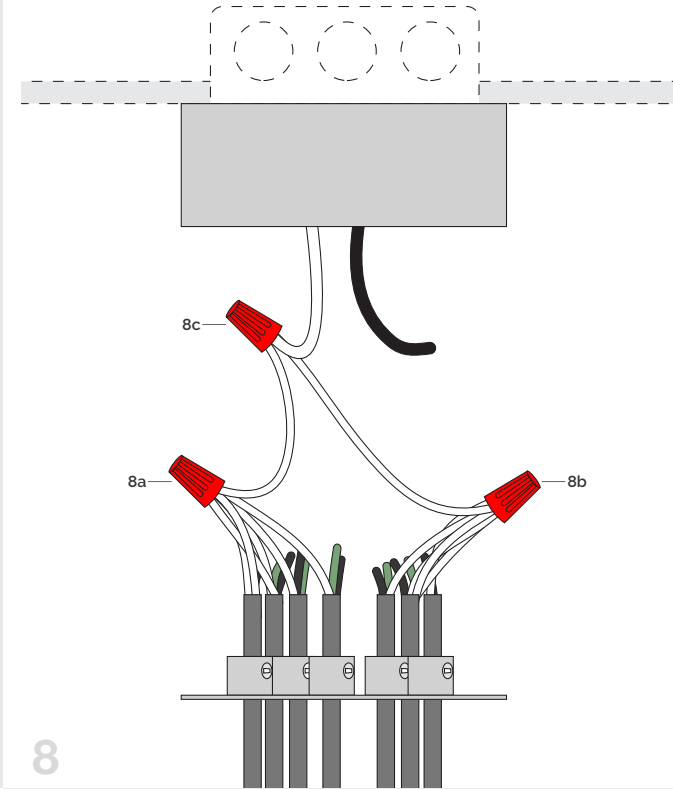
FOR INSTALLATIONS WITH 2-5 PENDANTS

- Trim any excessive cord from each pendant.

7a • Connect the neutral power cord with all of the white fixture wires using the provided wire nut.

- Repeat step 7a for the hot power cord wire with the black fixture wires using the provided wire nut.

- Ground the fixture wires according to local electrical code.



8

FOR INSTALLATIONS WITH 6-10 PENDANTS

- Trim any excessive cable from each pendant.

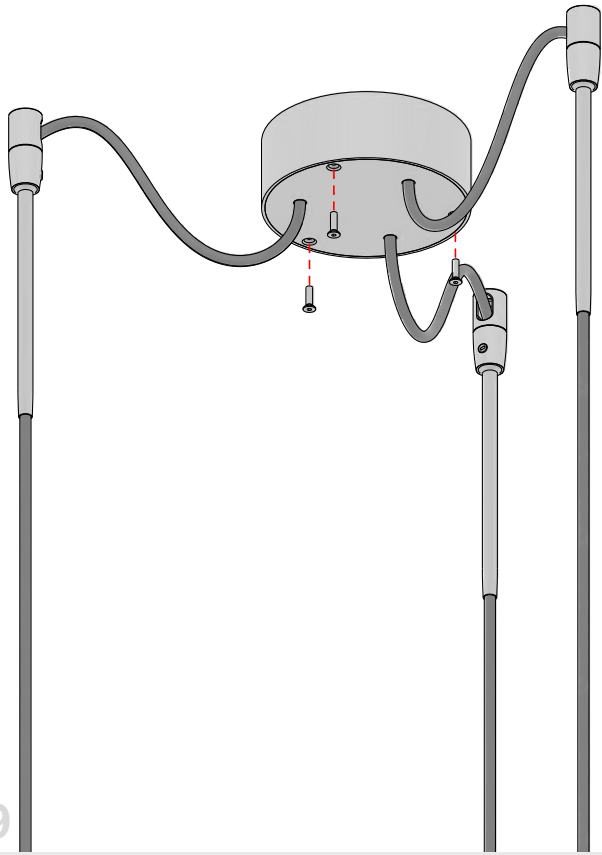
8a • Connect half of the white fixture wires with one of the provided white wire strips together using one of the provided wire nuts.

8b • Repeat for the remaining half of the white fixture wires.

8c • Connect the neutral power line with the two white strips from the previous connection using one of the provided wire nuts.

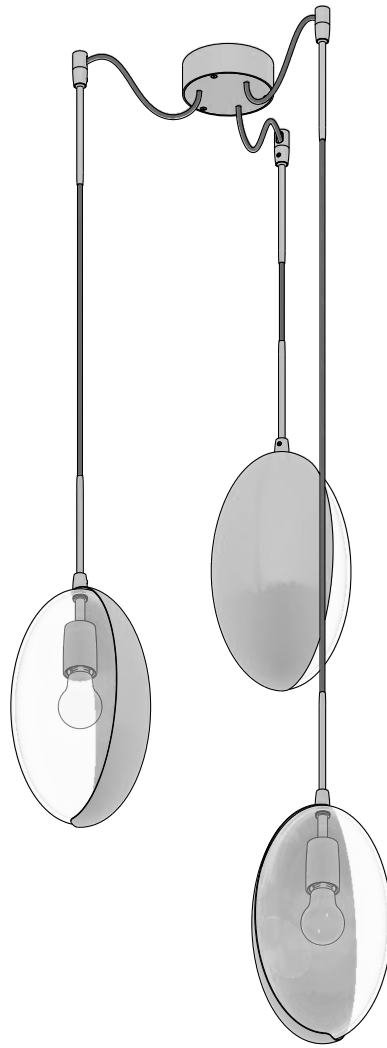
- Repeat steps 8a-8c for the hot power cord wire with the black fixture wires and the provided black wire strips.

- Ground the fixture wires according to local electrical code.



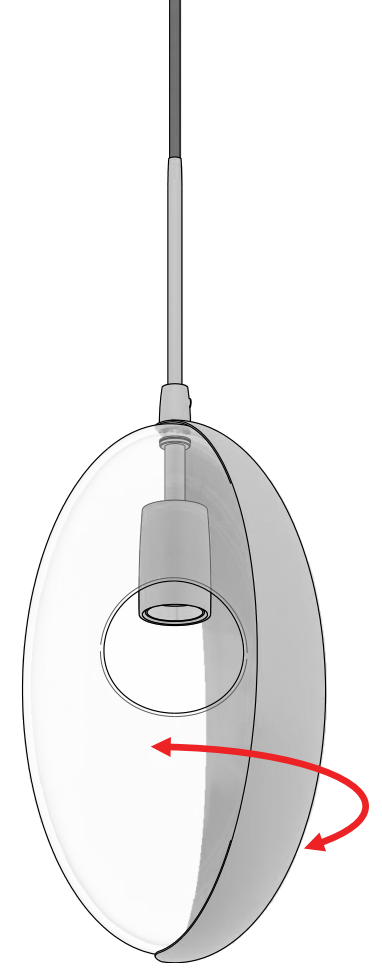
9

• Carefully fit all cords into the CANOPY BASE and attach the CANOPY PLATE.



10

• At this point, installation is complete. You may now install standard E26 base lamps.



MAINTENANCE

BULB INSTALLATION / REPLACEMENT

Hold the metal shade securely with one hand while slowly rotating the glass with your other hand until the side access hole in the glass is exposed.

Be careful to not let the glass rub along the inside of the metal shade. Captured debris can scratch the glass and shade.

CLEANING

Clean by using a dry or slightly dampened cloth. Only use fine cotton or extra soft cloths. Glass cleaner with no additives may be used on the glass.