

REVISED 2/1/21

**PRODUCT**

PASSAGES COLLECTION  
TORCHE LANTERN (MEDIUM)

**MATERIALS (FINISHES)**

METAL (DARK BRONZE, SATIN  
BLACK)

CRYSTAL (CLEAR, FROSTED)

**WEIGHT**

2.8 LBS

**LAMPING**

INTEGRATED LED  
2700K, 3000K / 90CRI  
3 LEVEL DIMMING

**POWER**

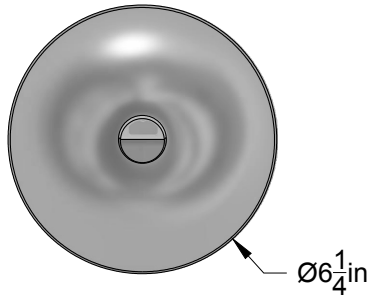
BATTERY / CHARGE VIA USB-C

**NOTES**

TORCHE FEATURES A  
RECHARGEABLE BATTERY FOR  
WIRED OR WIRELESS OPERATION  
AND IS INTENDED FOR INDOOR  
AND LIGHT OUTDOOR USE.

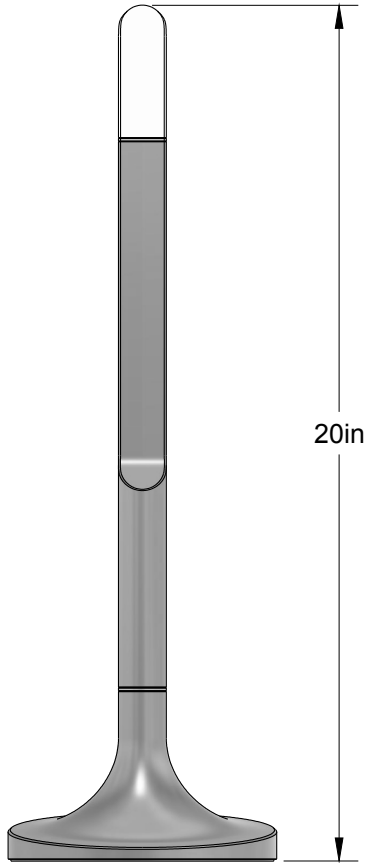
DESIGNED IN COLLABORATION  
WITH, AND FOR, LINK OUTDOOR.





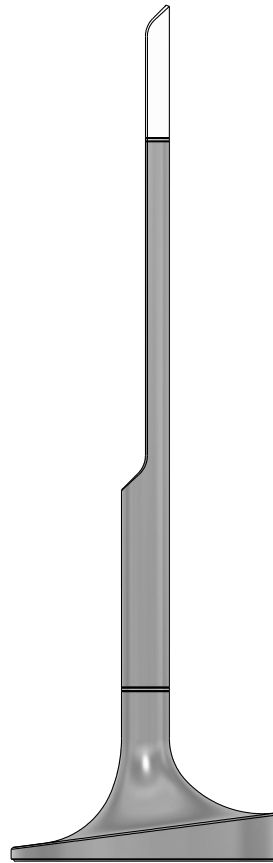
TOP VIEW

Ø6 1/4 in



FRONT VIEW

20in



SIDE VIEW

© 2021, LAKE AND WELLS, LLC. ALL RIGHTS RESERVED