

REVISED 12/1/19

**PRODUCT**

JOULLE PENDANT  
JOULLE 07-002

**MATERIALS (FINISHES)**

ANODIZED ALUMINUM (AGED  
BRONZE, GOLDEN BRASS, SATIN  
BLACK, SATIN SILVER)

SOLID OPTIC CRYSTAL (CLEAR,  
FROSTED, SMOKE)

**WEIGHT**

5.8 LBS

**LAMPING**

INTEGRATED LED (QTY 7)  
13W, 3000K  
DIMMABLE

**CERTIFICATIONS**

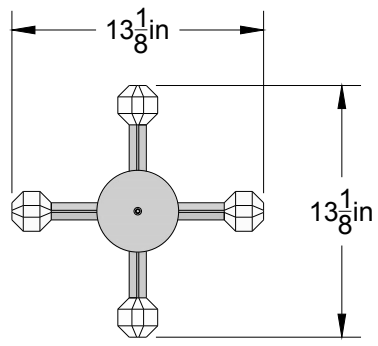
ETL LISTED (120V, US/CANADA)

**NOTES**

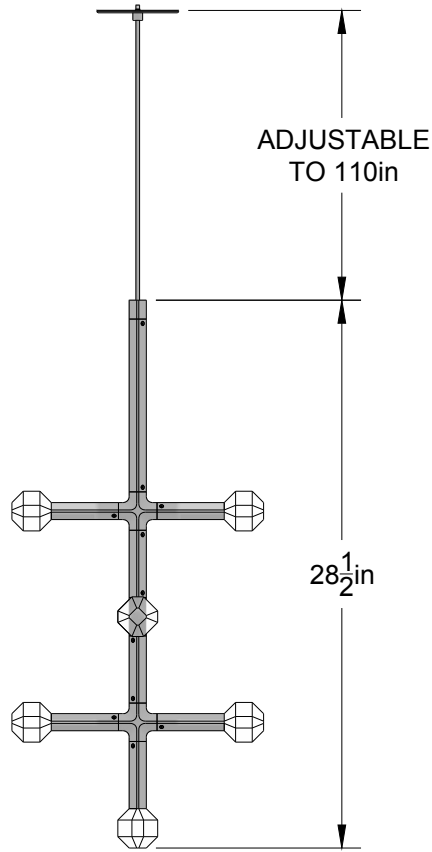
JOULLE IS COMPRISED OF  
MODULAR COMPONENTS AND IS  
MEANT TO BE ASSEMBLED ON-  
SITE BY A QUALIFIED AND  
LICENSED ELECTRICIAN AND  
INSTALLATION PROFESSIONAL.

PATENT PENDING

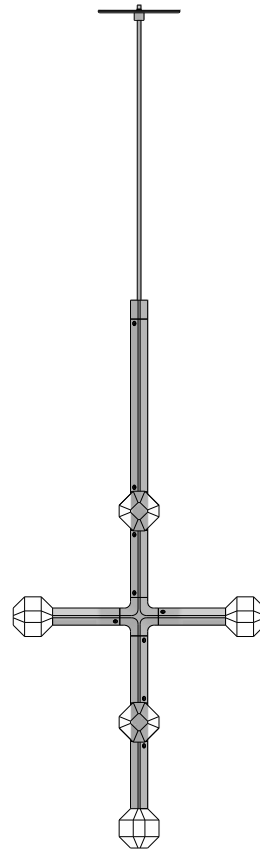




PLAN VIEW



ELEVATION VIEW



SIDE VIEW

© 2019, LAKE AND WELLS, LLC ALL RIGHTS RESERVED