

REVISED 7/1/19

PRODUCT

JOULLE LINEAR
JOULLE 04-003

MATERIALS (FINISHES)

ANODIZED ALUMINUM (AGED
BRONZE, GOLDEN BRASS, SATIN
BLACK, SATIN SILVER)

SOLID OPTIC CRYSTAL (CLEAR,
FROSTED, SMOKE)

WEIGHT

4.1 LBS

LAMPING

INTEGRATED LED (QTY 4)
13W, 3000K
ELV AND PHASE DIMMABLE

CERTIFICATIONS

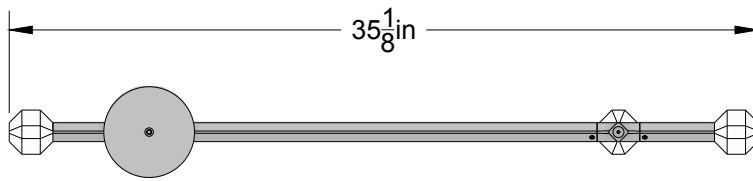
ETL LISTED (120V, US/CANADA)
PENDING

NOTES

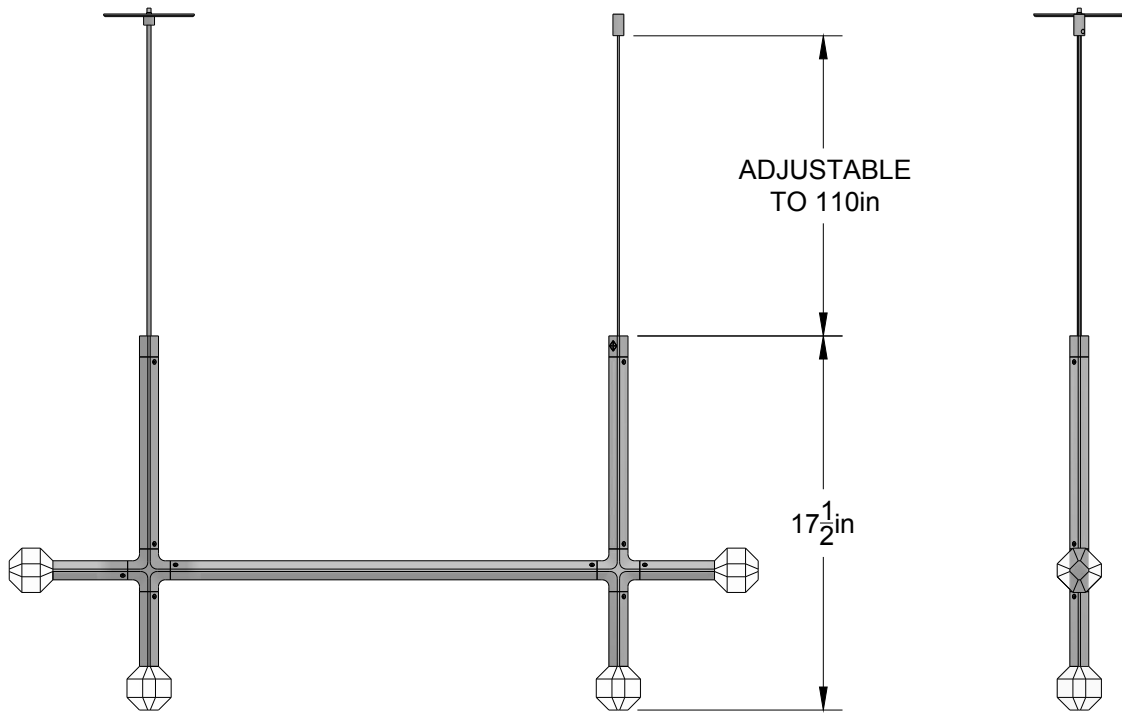
JOULLE IS COMPRISED OF
MODULAR COMPONENTS AND IS
MEANT TO BE ASSEMBLED ON-
SITE BY A QUALIFIED AND
LICENSED ELECTRICIAN AND
INSTALLATION PROFESSIONAL.

PATENT PENDING





PLAN VIEW



ELEVATION VIEW

SIDE VIEW

© 2019, LAKE AND WELLS, LLC ALL RIGHTS RESERVED