



REVISED 6/1/19

PRODUCT

JAX CHANDELIER
JAX 15-002

MATERIALS (FINISHES)

ANODIZED ALUMINUM (AGED
BRONZE, GOLDEN BRASS, SATIN
BLACK, SATIN SILVER)

SOLID OPTIC CRYSTAL (CLEAR,
FROSTED, SMOKE)

WEIGHT

7.3 LBS

LAMPING

INTEGRATED LED (QTY 15)
1.3W, 3000K
ELV AND PHASE DIMMABLE

CERTIFICATIONS

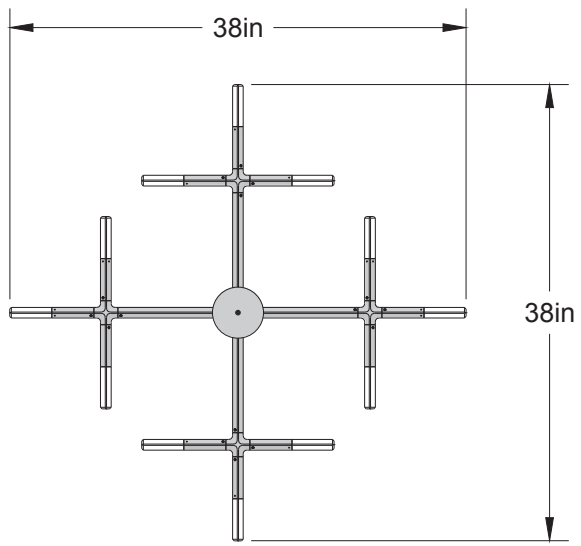
ETL LISTED (120V)

NOTES

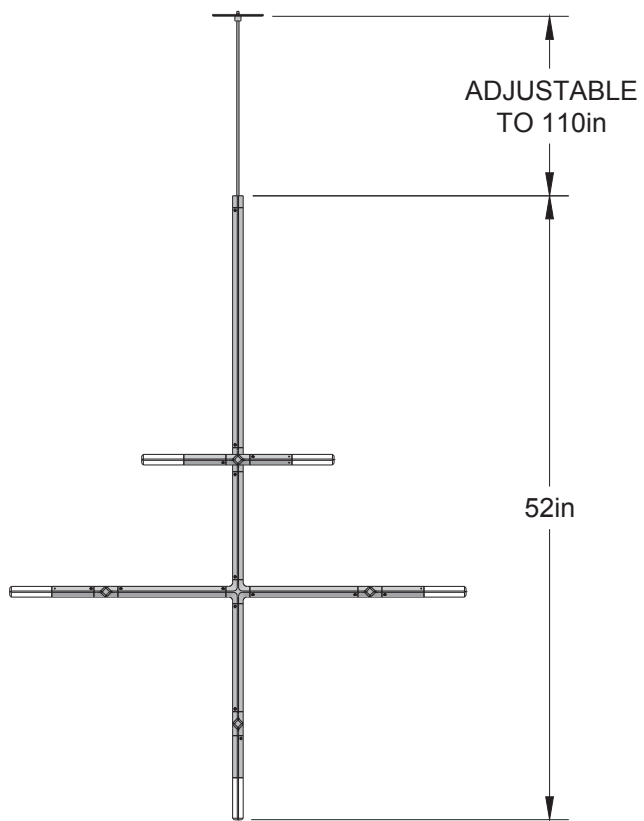
JAX IS COMPRISED OF MODULAR
COMPONENTS AND IS MEANT TO
BE ASSEMBLED ON-SITE BY A
QUALIFIED ELECTRICIAN AND
INSTALLATION PROFESSIONAL.

PATENT PENDING

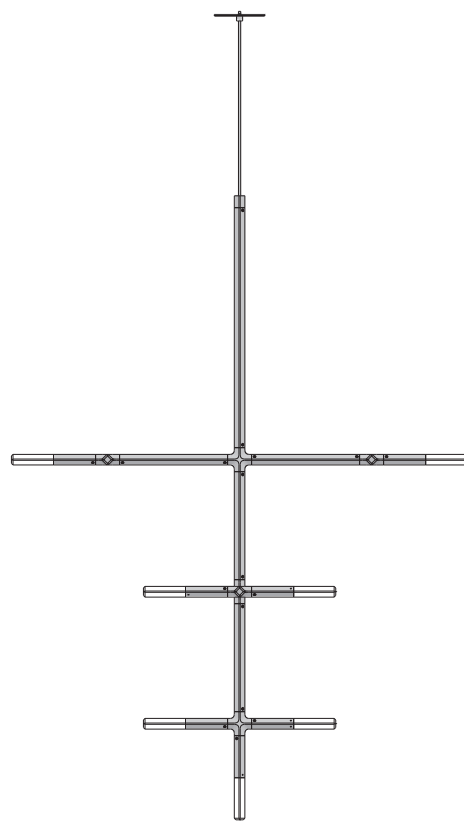




PLAN VIEW



ELEVATION VIEW



SIDE VIEW

© 2019, LAKE AND WELLS, LLC ALL RIGHTS RESERVED